

DATA SHEET

DB_AC_SBV_Series_EN_V21.04

1

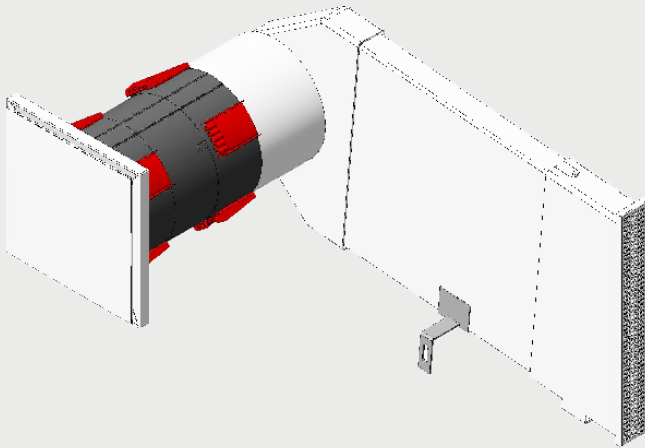
AIR CONTROL DN125 SERIES - SBV SOUND INSULATION ELEMENTS

Passive sound-insulating ventilation with fresh air supply duct, designed for flexible installation within external walls



LAL

Installation type
within the window reveal



Mounting types for:

- Exterior wall
- Window reveal
- Lintel
- Window sill
- Parapet
- Roof
- Knee wall



Supply air/return air elements



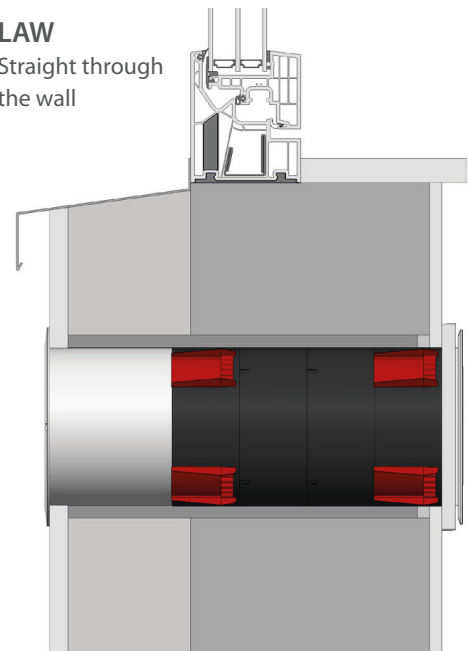
With sound insulation up to **65 dB** ($D_{n,e,w}$)

AIR CONTROL

- Series with shortest centre distance for the version with reveal channel
- Sound insulation up to 65 dB $D_{n,e,w}$
- Meandering air flow in through the wall passage
- Particularly suitable for increased wind loads
- Low-draught air outlet on the room side
- Good air flow rate with high sound insulation
- Customised installation options available
- Facade finishes tailored to customer requirements

LAW

Straight through
the wall



TECHNICAL DATA

AIR CONTROL SBV SERIES - OVERVIEW OF DEVICE DESIGN

The following sound-insulating ventilators represent an excerpt of the tested construction models. These can be expanded into additional installation types using additional components and adapted to the required installation situation. System-compliant accessories are available on request.

Subject to technical changes. Illustrations and specifications are not binding.

Series / device design		SDL-125-3-x SBV LAW Item number: 1010-1180VX	SDL-125-3-x SBV LAX 30 Item number: 1010-1120VX	SDL-125-3-x SBV LAX 30 S Item number: 1010-1100VX	SDL-125-3-x SBV LAX 30 SB Item number: 1010-1080VX	SDL-125-3-x SBV LAX 30 AS Item number: 1010-1090VX	SDL-125-2-x SBV LAX 50 S Item number: 1010-1050VX	SDL-125-3-x SBV LAX 50 S Item number: 1010-1060VX	SDL-125-2-x SBV LAX 50 SB Item number: 1010-1030VX	SDL-125-3-x SBV LAX 50 SB Item number: 1010-1020VX	SDL-125-4-x SBV LAX 50 ASB Item number: 1010-1000VX	
Flat duct design	[mm]	-	300	300	300	300	500	500	500	500	500	
Sound insulation ¹ (from external noise) Standardised sound level difference (see table). Performance data refer to the standard version. Values may deviate with optional construction.	[dB D _{n,e,w}]	43	47	51	53	55	52	54	56	59	65	
Tested nominal length (adjustable, extendable)	[mm]	280	280	280	280	280	280	280	280	280	280 ³	
Test number		T83	Z14	Z12	Z10	Z11	Z06	Z08	Z36	Z37	Z31	
Air flow rate ²	at 30 Pa	[m ³ /h]	41	46	46	46	42	56	39	56	39	29
	at 12 Pa	[m ³ /h]	29	34	34	34	30	42	28	42	27	21
	at 8 Pa	[m ³ /h]	23	28	28	28	24	35	23	35	23	17

¹ measured according to EN 140-10 / EN ISO 140-2/EN ISO 717, according to ift-Rosenheim test certificate

² Factory measurements; values vary depending on device configuration/installation variant

³ For version in tested minimum length with special orifice AC IQ 125 / 31; no filter insert is possible and a change to article no.: 1010-1000VX-A is necessary.

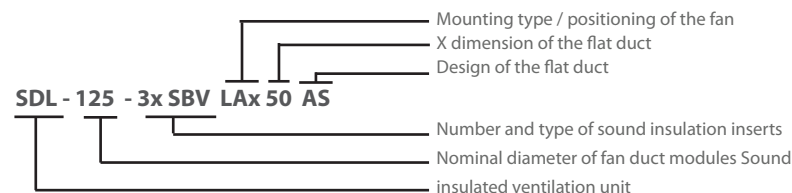
Remark:

Considering the specific integration of each project, the present installation conditions must be aligned with the corresponding test report. We will be happy to provide you with the test reports on request. The installation of all external wall fans of the AIR CONTROL series must be carried out exclusively on the basis of our installation instructions in accordance with the specifications of the respective test report.

Ventomaxx GmbH

Roider-Jackl-Straße 5
D-84036 Landshut

TYPE KEY



+49 (0) 871 - 953406 - 0
+49 (0) 871 - 953406 - 29

info@ventomaxx.de
www.ventomaxx.de