

DATA SHEET

DB_AC_SD_Series_EN_V21.04

1

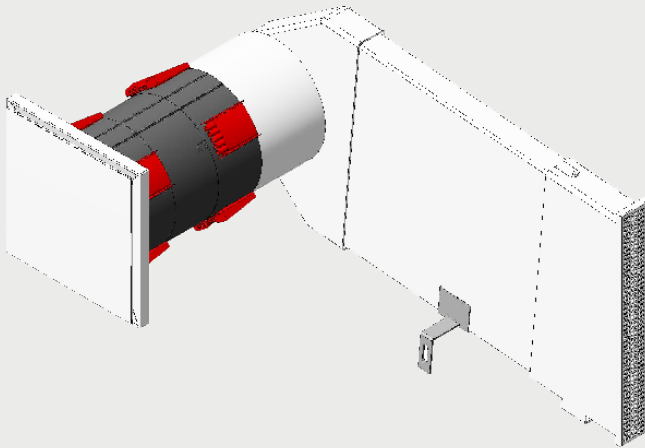
AIR CONTROL DN125 SERIES - SD SOUND INSULATION ELEMENTS

Passive sound-insulating ventilation with fresh air supply duct, designed for flexible installation within external



LAL

Installation type
within the window reveal



Mounting types for:

- Exterior wall
- Window reveal
- Lintel
- Window sill
- Parapet
- Roof
- Knee wall



Supply air/return air elements



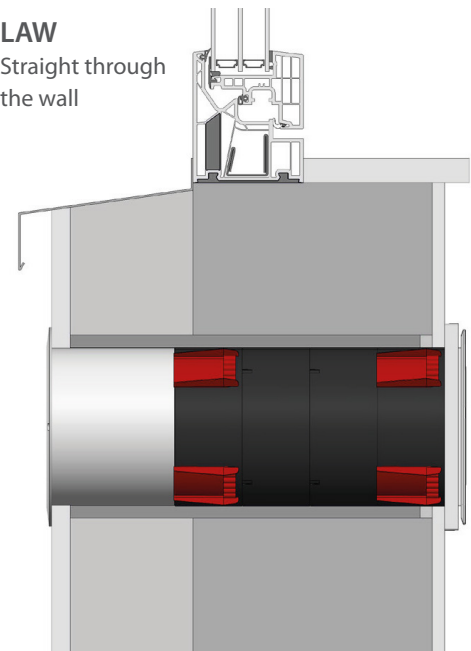
With sound insulation up to **62 dB** ($D_{n,e,w}$)

AIR CONTROL

- The most flexible ventilation system
- Sound insulation can be increased even after installation
- Sound insulation up to 62 dB $D_{n,e,w}$
- Stable air flow rate
- Shortest nominal length for LAW version
- Over 15 years of operational experience
- Customised installation options available
- Facade finishes tailored to customer requirements

LAW

Straight through
the wall



OVERVIEW OF DEVICE DESIGN

OVERVIEW OF DEVICE DESIGN

The following sound-insulating ventilators represent an excerpt of the tested models. These can be expanded into additional installation types using additional components and adapted to the required installation situation. System-compliant accessories are available on request.

Subject to technical changes. Illustrations and specifications are not binding.

Series / device version		SDL-125-1 SD LAW Item number: 1005-0900VX	SDL-125-2 SD LAW Item number: 1005-0910VX	SDL-125-0 SD LAX 50 Item number: 1005-1000VX	SDL-125-1 SD LAX 50 Item number: 1005-1010VX	SDL-125-2 SD LAX 50 Item number: 1005-1020VX	SDL-125-0 SD LAX 50 S Item number: 1008-1000VX	SDL-125-1 SD LAX 50 S Item number: 1008-1010VX	SDL-125-2 SD LAX 50 S Item number: 1008-1020VX	SDL-125-4 SD LAX 50 S Item number: 1008-1040VX
Flat duct design	[mm]	without	without	500	500	500	500	500	500	500
Sound insulation ¹ (from outside noise) Standardised sound level difference (see table). Performance data refer to the standard version. Values may deviate with optional construction)	[dB D _{n,e,w}]	43	44	41	45	48	53	57	60	62
Tested nominal length (adjustable, extendable)	[mm]	180	180	330	330	330	330	330	330	330
Test number		Z107	Z108	Z106	Z100	Z101	Z85	Z86	Z87	Z89
Air flow rate ²	at 30 Pa	[m ³ /h]	64	50	83	50	44	83	50	44
	at 12 Pa	[m ³ /h]	44	35	55	35	32	55	35	33
	at 8 Pa	[m ³ /h]	36	29	42	28	27	42	28	28

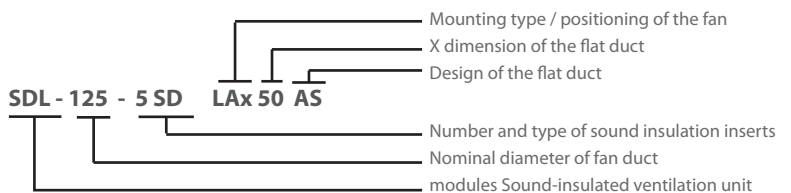
¹ measured according to EN 140-10 / EN ISO 140-2/EN ISO 717, according to ift-Rosenheim test certificate

² Factory measurements; values vary depending on device configuration/installation variant

Remark:

Considering the specific integration of each project, the present installation conditions must be aligned with the corresponding test report. We will be happy to provide you with the test reports on request. The installation of all external wall fans of the AIR CONTROL series must be carried out exclusively on the basis of our installation instructions in accordance with the specifications of the respective test report.

TYPE KEY



Flat duct design
Length extendable according to the table, customised to customer requirements

Installation: with downwards warpage

The ventilators are available in numerous installation variations (see installation types) and are factory pre-assembled to the desired dimensions for the specific project.

Ventomaxx GmbH

Roider-Jackl-Straße 5
D-84036 Landshut

+49 (0) 871 - 953406 - 0
+49 (0) 871 - 953406 - 29

info@ventomaxx.de
www.ventomaxx.de