

DATA SHEET

DB_AC SMART_Series_EN_V21.04

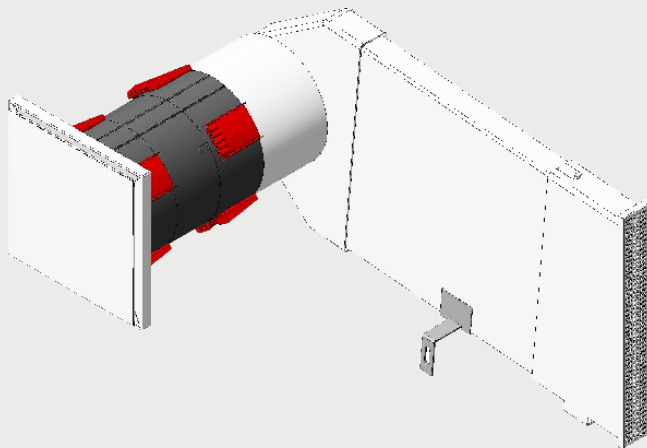
AIR CONTROL DN125 SERIES - SMART

Passive sound-insulating ventilation with fresh air supply duct, designed for flexible installation within external walls



LAL

Installation type
within the window reveal



Mounting types for:

- Exterior wall
- Window reveal
- Lintel
- Window sill
- Parapet
- Roof
- Knee wall



Supply air / return air elements



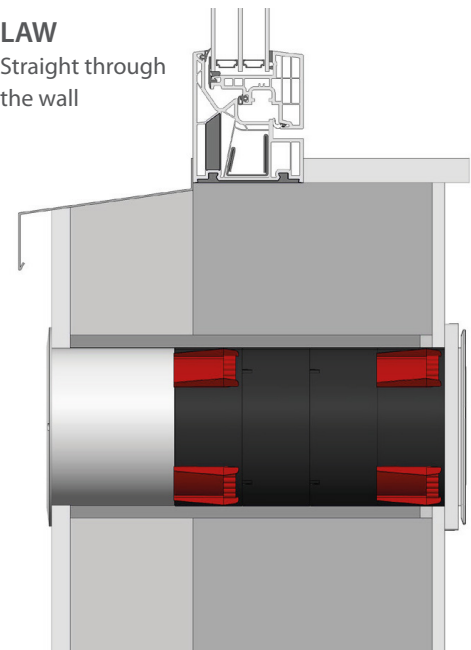
With sound insulation up to **75 dB** ($D_{n,e,w}$)

AIR CONTROL

- Highest air flow rate with maximum sound insulation
- Excellent price/performance ratio
- Wide range of sound insulation against external noise (45 – 75 dB $D_{n,e,w}$)
- Window reveal design with patented air duct
- Customised installation options available
- Facade finishes tailored to customer requirements

LAW

Straight through
the wall



TECHNICAL DATA

AIR CONTROL SMART SERIES - OVERVIEW OF DEVICE DESIGN

The following sound-insulating ventilators represent an excerpt of the tested models. These can be expanded into additional installation types using additional components and adapted to the required installation situation. System-compliant accessories are available on request.

Subject to technical changes. Illustrations and specifications are not binding.

Series / device version		SMART SDL 125 - 1SR 30 LAW Item number: 1003-0900VX	SMART SDL 125 - 1SR 30 LAW NL 280 Item number: 1003-1120VX	SMART SDL 125 - 2SR 30 LAW Item number: 1003-0910VX	SMART SDL 125 - 2SR 30 LAW NL 310 Item number: 1003-1130VX	SMART SDL 125 - 2SR 40 LAW NL 310 Item number: 1003-1140VX	SMART SDL 125 - 2SR 40 LAW Item number: 1003-0920VX	SMART SDL 125 - 1,5SR 30 LAX 30 S Item number: 1003-1150VX	SMART SDL 125 - 0SR LAX 50 Item number: 1003-1000VX	SMART SDL 125 - 1,5SR 30 LAX 50 Item number: 1003-1020VX	SMART SDL 125 - 1,5SR 30 LAX 50 S Item number: 1003-1050VX	SMART SDL 125 - 1,5SR 30 LAX 50 SB Item number: 1003-1070VX	SMART SDL 125 - 1SR 30 LAX 50 Item number: 1003-1010VX	SMART SDL 125 - 2SR 30 LAX 50 Item number: 1003-1030VX	SMART SDL 125 - 2SR 30 LAX 50 S Item number: 1003-1080VX	SMART SDL 125 - 0SR LAX V100 S Item number: 1003-1100VX	SMART SDL 125 - 1SR 30+ LAX V100 S Item number: 1003-1110VX	
Flat duct design	[mm]	-	-	-	-	-	-	300	500	500	500	500	500	500	500	1000	1000	
Sound insulation ¹ (from outside noise) Standardised sound level difference (see table). Performance data refer to the standard version. Values may deviate with optional construction.	[dB D _{n,e,w}]	45	46	49	50	55	58	54	41	51	63	65	50	55	66	71	75	
Tested nominal length (adjustable, extendable)	[mm]	360	280	360	310	310	360	280	280	280	280	280	330	330	330	280	280	
Test number		Z79	T79	Z78	T80	T81	Z76	T75	Z201	Z202	Z204	Z206	Z66	Z64	Z60	Z71	Z69	
Air flow rate ²	at 30 Pa	[m ³ /h]	65	63	65	62	40	40	54	94	58	58	58	58	58	86	54	
	at 12 Pa	[m ³ /h]	44	42	43	42	26	22	37	62	40	40	40	40	39	39	61	35
	at 8 Pa	[m ³ /h]	36	34	35	33	20	16	30	51	34	35	34	33	33	33	50	29

¹ measured according to EN 140-10 / EN ISO 140-2/EN ISO 717 , according to ift-Rosenheim test certificate

² Factory measurements; values vary depending on device configuration/installation variant

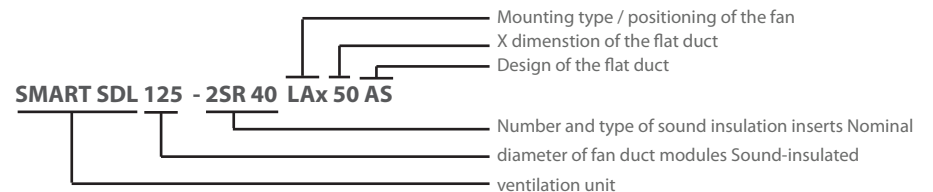
Remark:

Considering the specific integration of each project, the present installation conditions must be aligned with the corresponding test report respective. We will be happy to provide you with the test reports on request. The installation of all external wall ventilators of the AIR CONTROL series must be carried out exclusively on the basis of our installation instructions in accordance with the specifications of the respective test report.

Ventomaxx GmbH

Roider-Jackl-Straße 5
D-84036 Landshut

TYPE KEY



+49 (0) 871 - 953406 - 0

+49 (0) 871 - 953406 - 29

info@ventomaxx.de

www.ventomaxx.de